

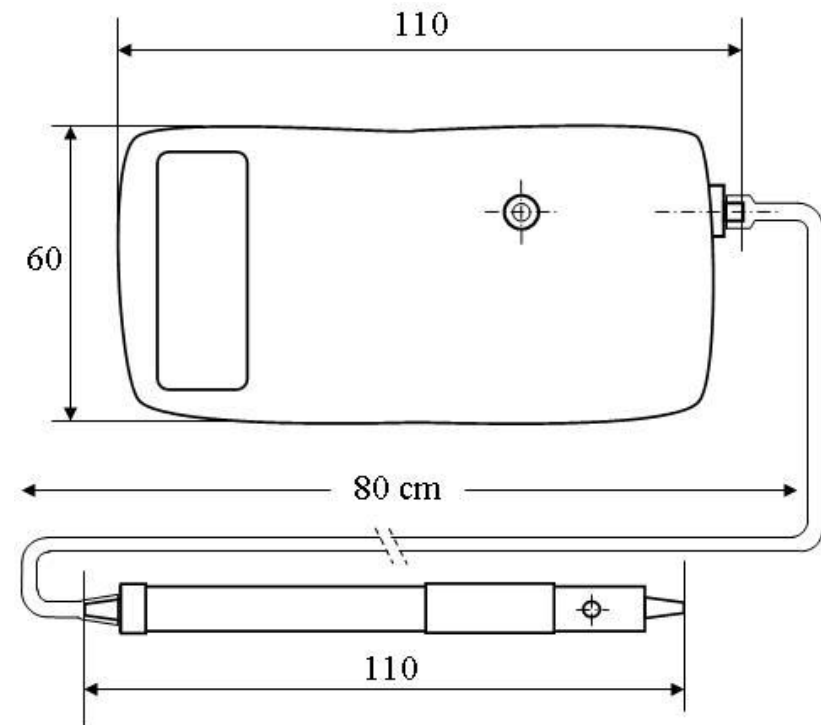
## Vacuum Tweezer VACPIN 05A

Equipment serves for easy and simple manipulation with small subjects. Is especially convenient for electronics. It can be also used for moulders, repair small objects etc.



- to switch vacuum either manually by closing a hole by hand holder or by using hole in vacuum motor
- a manipulated object can be easily located on the place with a specially shaped needle
- needles with various diameters and flexible vacuum holder can be used
- body of hand holder is heat proof

## Dimensions



### Technical specification :

Power supply..... 230 V, 50Hz / 6W  
Vacuum ..... appr.15 kPa  
Weight .....0.4 kg.